

Product Specifications

KSM42 Large Dual-Diaphragm Side-address Condenser Vocal Microphone

Overview

This premium side-address, cardioid condenser microphone features a large dual-diaphragm capsule, optimized for world-class vocal recording and performance applications. With a tailored frequency response and extensive internal and external pop filtering, the single-pattern, dual-diaphragm design of the KSM42 exhibits exceptionally smooth proximity control and ultra-wide dynamic range. The KSM42 is the premier choice for capturing sophisticated, powerful and intimate vocal performances.

Features

- Highly consistent cardioid polar pattern creates a broad “sweet spot” and natural off-axis response
- Dual-diaphragm design with an active front, ultra thin (2.5 micron) 24-karat gold, low mass, 1-inch Mylar® diaphragm
- Passive back diaphragm delivers exceptional control of low frequency proximity effect
- Tailored low-frequency roll-off minimizes low frequency room noise
- Integrated three-stage mesh grille guards against wind and breath noise
- Open cage ShureLock® rubber suspension shock mount with low-profile Popper Stopper™ magnetic pop filter produces a natural space between performer and microphone
- Prethos™ Advanced Preamplifier Technology exhibits extremely low self-noise with superior dynamic range, transient response and ultra-low distortion for transparent recording
- Premium electronic components and gold-plated internal and external connectors
- Durable zinc die-cast housing and hardened low carbon steel grille
- Internal shock mount to reduce unwanted handling and stand noise



KSM42

Available Models

KSM42/SG	Includes ShureLock® Shock Mount, Popper Stopper™ Magnetic Pop Filter, Aluminium Carrying Case, and Velveteen Pouch
-----------------	--

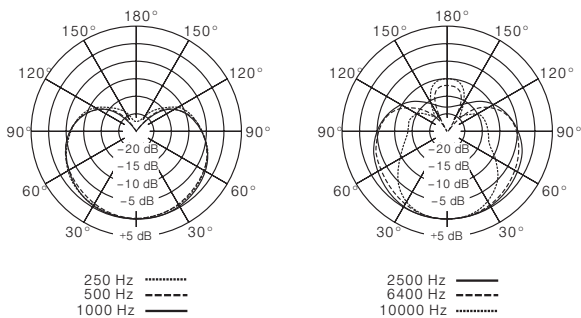
Specifications

Transducer Type	Dual-Diaphragm, Front-Active, Externally Biased Condenser
Frequency Response	60 to 20,000 Hz
Polar Pattern	Cardioid
Output Impedance	147 ohms
Sensitivity (at 1 kHz, open circuit voltage)	-37 dBV/Pa (14.1 mV) 1 Pascal=94 dB SPL
Maximum SPL (1 kHz at 1% THD)	1000 ohms load: 139 dB 2500 ohms load: 139 dB
Signal-to-Noise Ratio (referenced at 94 dB SPL at 1 kHz)	86 dB S/N ratio is difference between 94 dB SPL and equivalent SPL of self noise, A-weighted
Dynamic Range (at 1 kHz)	1000 ohms load: 131 dB 2500 ohms load: 131 dB
Common Mode Rejection (10 Hz to 100 kHz)	> 60 dB
Clipping Level (20Hz-20 kHz at 1% THD)	1000 ohms load: 6.5 dBV 2500 ohms load: 8 dBV
Self Noise (typical, equivalent SPL, A-weighted)	8.5 dB
Polarity	Positive pressure on diaphragm produces positive voltage on pin 2 with respect to pin 3
Weight	Net: 494 g. with shock mount and pop filter: 820 g
Connector	Three-pin professional audio (XLR), male
Power Requirements	11 to 52 Vdc phantom, 6 mA

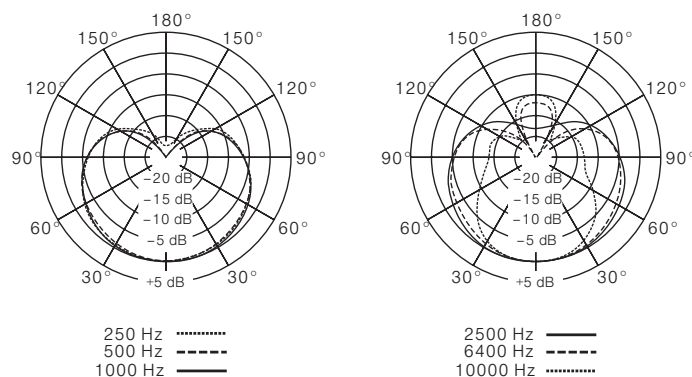
Furnished Accessories

A42SM	ShureLock® Rubber Isolated Shock Mount	A42M	ShureLock® Stand Mount
A42VB	Protective Velveteen Pouch	AK42C	Zippered Carrying Case

Polar Pattern



Frequency Response



SHURE
LEGENDARY
PERFORMANCE™

www.shure.com

©2015 Shure Incorporated