

## DC 5980 P Discussion Unit

- Configurable as Chairman, Delegate or Interpreter for DDS 5900 Discussion System
- Soft-touch button technology
- Lockable XLR microphone connector
- High quality loudspeaker
- Channel selector with LED indication
- Exchangeable button overlay



## Description

The DC 5980 P is a fully digital portable discussion unit in the DIS DDS 5900 Digital Discussion System.

The unit can be configured either as a chairman, delegate or interpreter unit. The unit is configured by default as a delegate unit, but the button overlay is exchangeable to match the functionality.

Reconfiguration is easily done by activating a combination of buttons for 10 seconds to switch between chairman, delegate and interpreter configuration. When the unit is configured, the LEDs start flashing and the unit reboots. The configuration is stored in the unit and it keeps the configuration even if it is used in another DDS 5900 system.

Depending on the configuration, the left button changes functionality. Chairman configuration supports "Del. Off". This allows the chairman to switch off all active delegate microphones.



The delegate and interpreter configuration supports 'Mute' functionality that allows the user to temporarily mute his/her active microphone while the mute button is held down. The delegate configuration can also be changed to omit the 'Mute' functionality so the delegate only has a 'Speak' button.



The 'Speak' button enables the user to activate/deactivate the microphone. The floor channel is distributed through the built-in loudspeaker except when the microphone is active. By connecting a headphone, the user can listen to the floor channel or to one of the two interpretation channels. Headphone volume can be adjusted with the volume buttons.

Interpreters will always listen to the floor channel in the headphone and can select the outgoing channel for interpretation.



A gooseneck microphone (GM 59xx or GM 6xxx) can be inserted in the lockable XLR socket. The lock is accessible from a small hole beside the XLR socket with a 1.5 mm hex key. Turning the hex key counter clockwise locks the gooseneck microphone and turning the hex key clockwise unlocks the gooseneck microphone from the unit.

## Features

The DC 5980 P has the following standard features:

- Standard discussion unit for chairmen, delegates or interpreters
- Fully digital audio transmission utilizing DCS 6000 technology
- Encrypted sound to prevent eavesdropping
- DCS-LAN daisy chain topology with loop-through connections or star topology using junction boxes
- CAT 5e (or higher) F/UTP or U/FTP cabling for DCS-LAN
- Maximum 250 discussion units per system
- Four microphone operation modes; Automatic, FIFO, Manual and VOX (voice activation)
- Support for delegate interrupt mode
- 'Auto Off' of microphones
- Lockable XLR gooseneck microphone connector
- One high-quality loudspeaker
- Channel selectors supporting the floor channel and two interpretation channels
- One headphone socket for DH 6021 or similar
- Microphone 'Speak' and function (Delegates Off/Mute) buttons
- Exchangeable button overlay for changing the button labels to other functionality
- Optional use of cable clamp to fix the DCS-LAN loop-through cables

# Specifications

## Electrical

<b>Frequency response (headphone)</b>	65 Hz-16 kHz
<b>Frequency range (loudspeaker)</b>	150 Hz-15 kHz
<b>Power consumption</b>	1.5 W
<b>Power maximum (loudspeaker)</b>	2.1 W RMS
<b>THD</b>	< 0.1 %
<b>Signal-to-noise ratio</b>	> 85 dBA
<b>Headphone connection</b>	3.5 mm jack, female stereo socket

## Interconnections

<b>DCS-LAN</b>	Two RJ45 female sockets with auto-termination
----------------	---

## Mechanical

<b>Mounting</b>	Tabletop
<b>Dimensions (H x W x D)</b>	71 x 128 x 146 mm (2.8 x 5.0 x 5.75 in.)
<b>Weight</b>	500 g (1.1 lbs.)
<b>Color</b>	Black
<b>Temperature range</b>	5° to 40° C

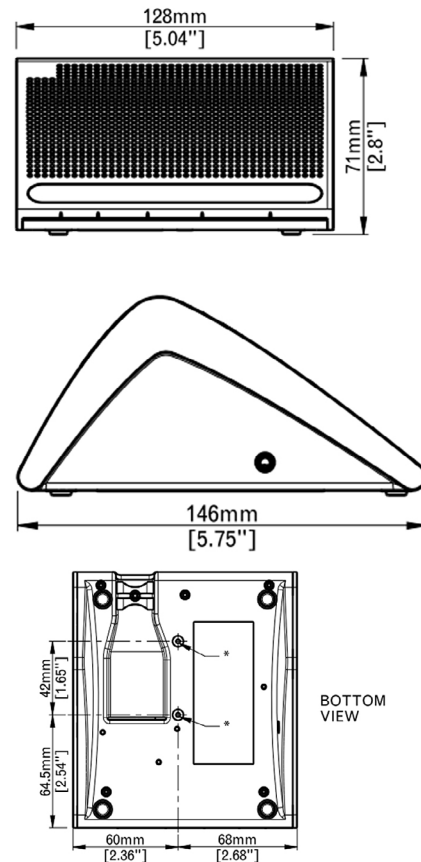
## Certifications

The DC 5980 P Discussion Unit conforms in general to the IEC 60914 standard, however some functionalities, when the unit is configured as interpreter unit, does not fulfill all requirements in the standard.

# How To Order

Portable discussion unit for DDS 5900. Integrated loudspeaker, headphone jack and channel selectors. Includes delegate button overlay with mute. Configurable as chairman, participant, or interpreter.	<b>DC 5980 P</b>
Button overlay for DC 5980 P: Delegate, with mic on/off (10 units)	<b>DC 5980 P ACC-DM</b>
Button overlay pack for DC 5980 P: Chairman overlays (2 units) and interpreter station (3 units)	<b>DC5980P-ACC-CM-IS</b>
AC 5900 Cable Clamps; pack of 20 units	<b>AC 5900 CC 20PK</b>
Spare Part Set DDS 5900 P	<b>SPS DDS 5900 P</b>

## Drawing



\* Drill blind hole Ø 2.5mm, maximum depth = 6 mm for M3 thread cut.(bottom tap)

**SHURE®**  
LEGENDARY  
PERFORMANCE™

United States, Canada,  
Latin America, Caribbean:  
Shure Incorporated  
5800 West Touhy Avenue  
Niles, IL 60714-4608 USA

Phone: +1 847-600-2000  
Fax: +1 847-600-1212 (USA)  
Fax: +1 847-600-6446  
Email: info@shure.com  
www.shure.com

Europe, Middle East, Africa:  
Shure Europe GmbH  
Jakob-Dieffenbacher-Str. 12,  
75031 Eppingen, Germany

Phone: +49-7262-92490  
Fax: +49-7262-9249114  
Email: info@shure.de  
www.shure.eu

Asia, Pacific:  
Shure Asia Limited  
22/F, 625 King's Road  
North Point, Island East  
Hong Kong

Phone: +852-2893-4290  
Fax: +852-2893-4055  
Email: info@shure.com.hk  
www.shureasia.com