

CUMULUS

The Cumulus™ is a triangular broadband acoustic corner trap that effectively absorbs sound energy from 100Hz and up. Designed to fit in corners where the wall and ceiling meet, the Cumulus takes advantage of the natural propagation of sound that occurs in all rooms. Sound waves follow the wall and ceiling planes and accumulate in the corners, a well known hot spot in small rooms.

The Cumulus is amazingly compact yet when in place, creates a 12" deep cavity behind the panel that increases the bass absorption characteristics. Mounting Cumulus traps in a room will generally yield a significant reduction in the problematic low-mid (100Hz - 200Hz) region while leaving the architectural design of the room virtually intact.

Invisible mounting is achieved using spring-tensioned cleats and a single eye-screw. Mounting literally takes minutes and because of the reverse beveled edges Cumulus traps flush mount seamlessly into the room esthetics. The Cumulus is available in 3 colors: black, grey and beige. Sold in pairs.

SPECIFICATIONS:

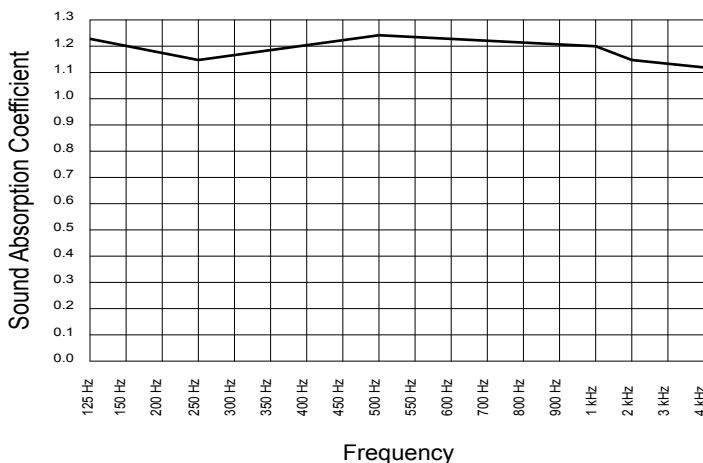
ORDER NUMBER	Z840-1210-XX (xx denotes color code 00=Black; 03= Beige; 08=Grey)
DIMENSIONS	24" (610mm) x 24" (610mm) x 24" (610mm)
PANEL DEPTH	2" (51mm)
CORE MATERIAL DENSITY	Formed, semi-rigid inorganic glass fibers, 6.0 lbs pcf (96 kg/m3)
WEIGHT	1.65 lbs / .75 kg
FABRIC FACING	Acoustically transparent polyester
BACKING	Sealed with acoustically transparent micromesh
EDGE TREATMENT	Reverse bevel edge. Sealed and hardened with resin
RECYCLED CONTENT	Up to 40%
LEED ELIGIBLE	Yes

ABSORPTION CHARACTERISTICS:*

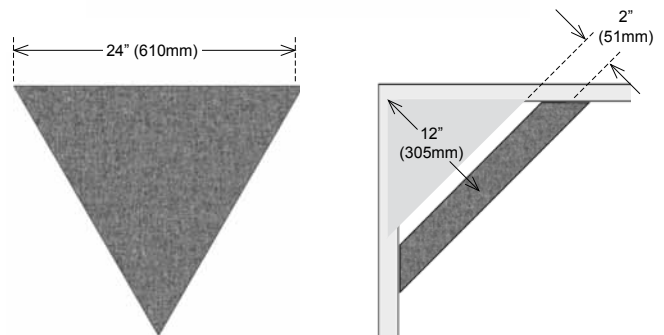
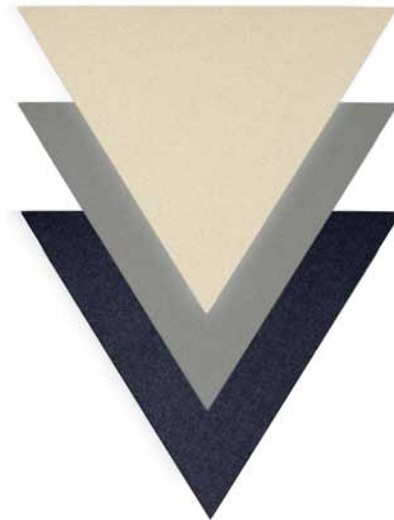
Sound absorption coefficient data

PANEL DEPTH	125Hz	250Hz	500Hz	1kHz	2kHz	4kHz
2" (51mm) Depth	1.23	1.15	1.24	1.2	1.14	1.11

* Testing performance based on Broadway panel test results and 1/4 wavelength calculations.


FIRE & BURN PERFORMANCE:

COUNTRY	TEST STANDARD	CLASSIFICATION
Canada	CAN/ULC-S102-03	Class A/1
USA	ASTM E84-09	Class A/1
Europe	EN 13501-1	A2-s1, d0
Australia / New Zealand	AS/NZS 1530.3	(I)0, (S)0, (H)0, (Sm)5


APPLICATION:

MOUNTING:

Mounting is accomplished with spring tensioned cleats and a single eye-screw.

