



Thump12 and Thump15

Only Thump Powered Loudspeakers deliver the class-leading, chest-thumping low end you deserve. Each Thump loudspeaker delivers 1000 watts of power, providing the high-output you need in a package that's tough, lightweight and portable.

Designed by the world's leader in portable live sound, Thump loudspeakers offer a 3-band EQ for dialing in the ideal sound. And with a rugged enclosure and robust system protection, you're more than ready for the next gig.

Delivering real-world power levels, application flexibility and class-leading bass response, you can be confident that Thump loudspeakers offers the best performance for your money.

FEATURES:

- 1000W Total System Power
 - Gig-ready, high-output design
 - Ultra-efficient Class-D amplification
- Class-leading, Chest-thumping Low End
 - 12" High-output woofer [Thump12]
 - 15" High-output woofer [Thump15]
 - 1.4" Titanium dome compression driver
 - Dynamic bass response delivers amazing lows at all volumes
- Total System Optimization
 - Precision 2-way crossover
 - Transducer time alignment
 - System protection / limiting
- Application Flexible
 - 3-band EQ with sweepable mid to dial in the perfect sound
 - Mic/line input allows direct connection of microphone
 - Flexible mounting options including tripod and pole-mounting
 - Angled design perfect for use as a stage monitor
- Lightweight and Portable
 - Rugged polypropylene construction designed for heavy use
 - 29.0 lb / 13.2 kg [Thump12]
 - 33.2 lb / 15.1 kg [Thump15]



Like us



Follow us



Watch our dang videos



Thump12
Thump15

1000W
Powered Loudspeakers

THUMPI2 / THUMPI5 TECH SPECS

Acoustic Performance

Frequency Response (-3 dB)	57 Hz – 20 kHz [Thump12] 39 Hz – 20 kHz [Thump15]
Frequency Response (-10 dB)	50 Hz – 23 kHz [Thump12] 32 Hz – 23 kHz [Thump15]
Horizontal Coverage Angle	90°
Vertical Coverage Angle	60°
Maximum SPL Peak	125 dB SPL @ 1m [Thump12] 126 dB SPL @ 1m [Thump15]

High-Frequency Section

Compression Driver	1.4 in / 36 mm
Diaphragm Material	Titanium
Magnet Material	Ferrite

Low-Frequency Section

Woofer Diameter	12.0 in / 305 mm [Thump12] 15.0 in / 381 mm [Thump15]
Cone Material	Paper
Magnet Material	Ferrite

Power Amplifiers

System Power Amplification	
Rated Power	500 watts rms 1000 watts peak

Low Frequency Power Amplifier

Rated Power	400 watts rms 800 watts peak
Design	Class D

High Frequency Power Amplifier

Rated Power	100 watts rms 200 watts peak
Design	Class AB

Input / Output

Input Type	Female XLR / 1/4" Balanced
Input Impedance	20 k Ω balanced bridging; 10 k Ω unbalanced
Thru	Male XLR balanced
Level Control	Rotating Knob 0 dB at center
Sensitivity	+4 dBu for full output (Level Control @ Center) -36 dBu for full output (Level Control @ Max)

Electronic Crossover

Crossover Type	24 dB/octave
Crossover Frequency	3 kHz

Equalization

Low Frequency EQ	± 6 dB @ 80 Hz, shelving
Mid Frequency EQ	± 6 dB sweepable from 100 Hz to 8 kHz
High Frequency EQ	± 6 dB @ 12 kHz, shelving

Power

US detachable line cord	100 – 120 VAC, 50 – 60 Hz, 130W
EU detachable line cord	220 – 240 VAC, 50 – 60 Hz, 130W
AC Connector	3-pin IEC 250 VAC, 10 A male
Power Supply Type	Switchmode
Operating Temperature [extended ambient temperature]	0 - 40 °C 32 - 104 °F

Safety Features

Input Protection	Peak and RMS limiting, power supply and amplifier thermal protection
Display LEDs	Front / rear power ON, Rear OL (Overload)



Thump12
Thump15

1000W
Powered Loudspeakers

THUMP12 / THUMP15 TECH SPECS CONTINUED...

Construction Features

Basic Design	Trapezoidal
Cabinet	Polypropylene
Finish	Textured
Handles	One on each side, one on top
Grille	Perforated metal with weather-resistant coating
Monitor Angle	50° [Thump12] 45° [Thump15]

Mounting Methods

Pole-mountable via the built-in socket on the bottom of the cabinet. Be sure the pole is capable of supporting the weight of the Thump loudspeaker.

Physical Properties (packaged product)

Thump12	
Height	25.0 in / 635 mm
Width	15.2 in / 386 mm
Depth	13.2 in / 335 mm
Weight	32 lb / 14.5 kg

Thump15	
Height	29.0 in / 737 mm
Width	17.5 in / 445 mm
Depth	17.0 in / 432 mm
Weight	36.0 lb / 16.3 kg

Physical Properties (product)

Thump12	
Height	23.5 in / 596 mm
Width	14.5 in / 367 mm
Depth	12.4 in / 314 mm
Weight	29.0 lb / 13.2 kg

Thump15	
Height	27.6 in / 702 mm
Width	16.8 in / 427 mm
Depth	15.5 in / 394 mm
Weight	33.2 lb / 15.1 kg

Options


SPM200 Loudspeaker Pole Mount	P/N 2035170-01
Thump12 Loudspeaker Bag	P/N 2036809-07
Thump15 Loudspeaker Bag	P/N 2036809-06

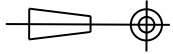
Ordering Information

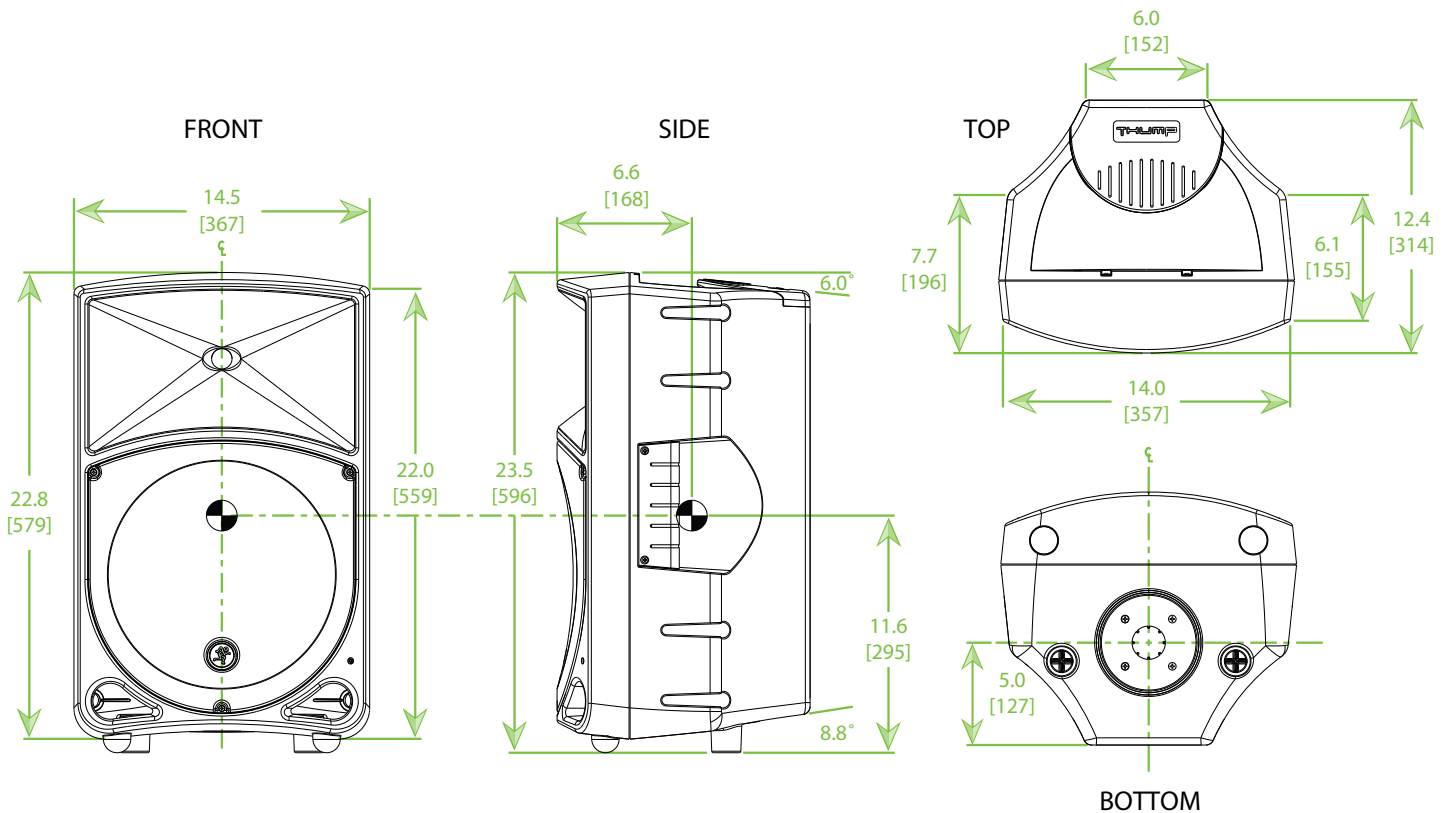
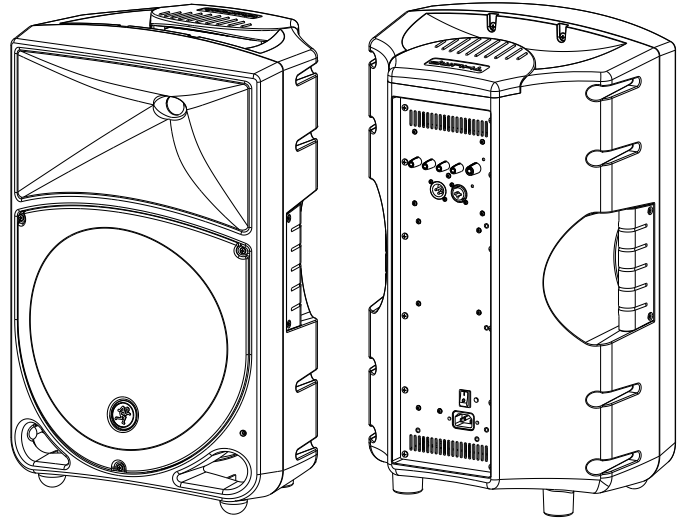
Thump12 1000W 12" Powered Loudspeaker, US	P/N 2042230-00
Thump12 1000W 12" Powered Loudspeaker, EU	P/N 2042230-01
Thump12 1000W 12" Powered Loudspeaker, UK	P/N 2042230-03
Thump12 1000W 12" Powered Loudspeaker, AU	P/N 2042230-04
Thump12 1000W 12" Powered Loudspeaker, CN	P/N 2042230-05
Thump12 1000W 12" Powered Loudspeaker, BZ (120V)	P/N 2042230-06
Thump12 1000W 12" Powered Loudspeaker, BZ (230V)	P/N 2042230-16

Thump15 1000W 15" Powered Loudspeaker, US	P/N 2042231-00
Thump15 1000W 15" Powered Loudspeaker, EU	P/N 2042231-01
Thump15 1000W 15" Powered Loudspeaker, UK	P/N 2042231-03
Thump15 1000W 15" Powered Loudspeaker, AU	P/N 2042231-04
Thump15 1000W 15" Powered Loudspeaker, CN	P/N 2042231-05
Thump15 1000W 15" Powered Loudspeaker, BZ (120V)	P/N 2042231-06
Thump15 1000W 15" Powered Loudspeaker, BZ (230V)	P/N 2042231-16

THUMPI2 LOUDSPEAKER DIMENSIONS
NOTES:

1. SYMBOL  INDICATES CENTER OF BALANCE.
2. WEIGHT APPROX. 29.0 lb [13.2 kg].
3. SHIPPING WEIGHT APPROX. 32 lb [14.5 kg].


<p>THIRD ANGLE PROJECTION</p> 	<p>UNLESS OTHERWISE SPECIFIED: ALL DIMENSIONS ARE IN INCHES DUAL [MM] DIMENSIONS FOR REF ONLY</p> <p>TOLERANCE IN INCHES LINEAR ± 0.13 in / ± 3.3 mm ANGLES $\pm 1^\circ$</p> <p>(X.XX) = REF DIMS NO TOLERANCE IMPLIED</p> <p>TSC = THEORETICAL SHARP CORNER</p> <p>DIMENSIONS ACROSS CENTERLINES TO BE SYMMETRICAL</p>
<p>THE INFORMATION CONTAINED HEREIN IS PROPRIETARY AND CONFIDENTIAL PROPERTY OF LOUD TECHNOLOGIES, INC. ALL RIGHTS RESERVED</p>	

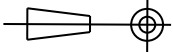


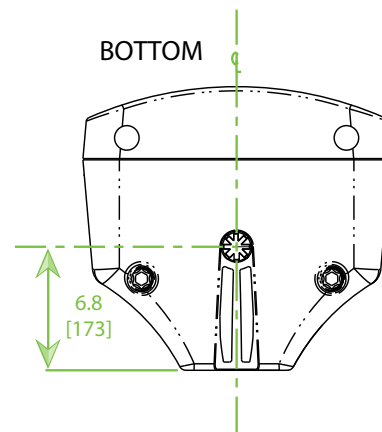
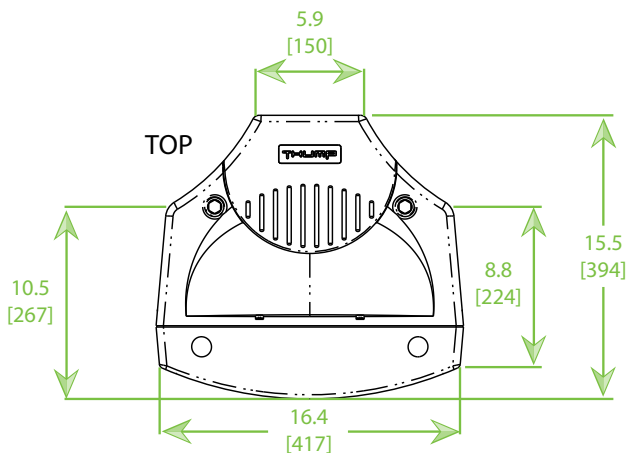
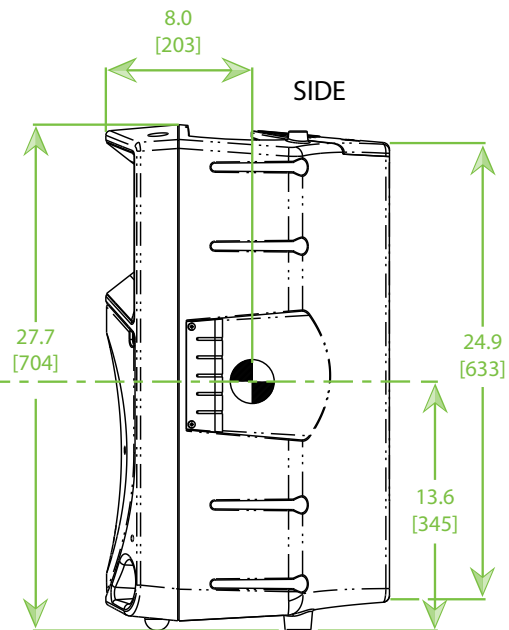
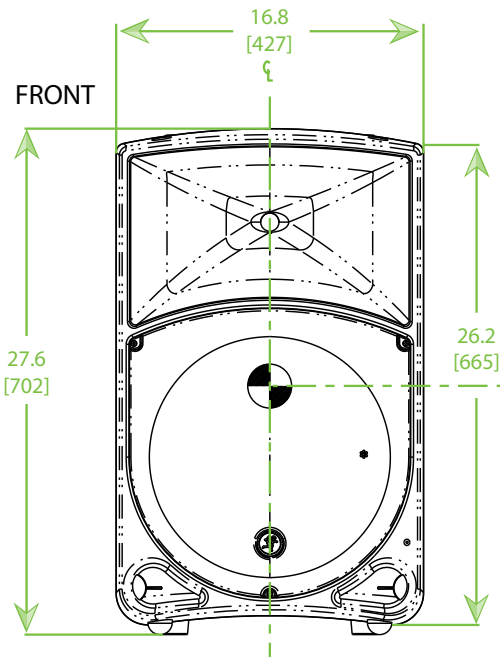
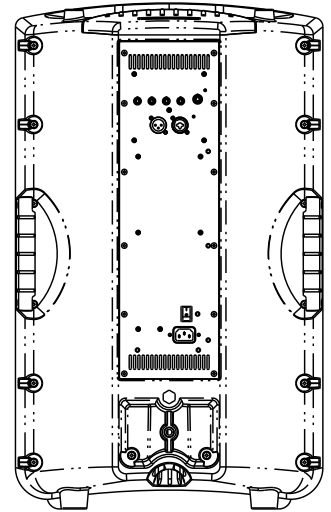
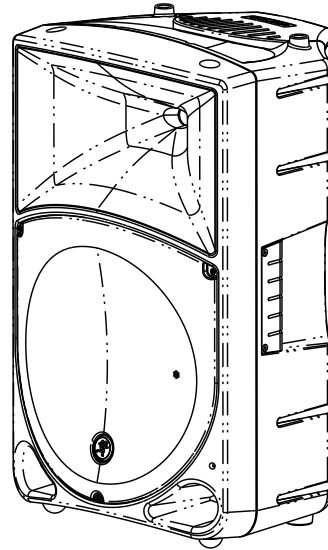


THUMP15 LOUDSPEAKER DIMENSIONS

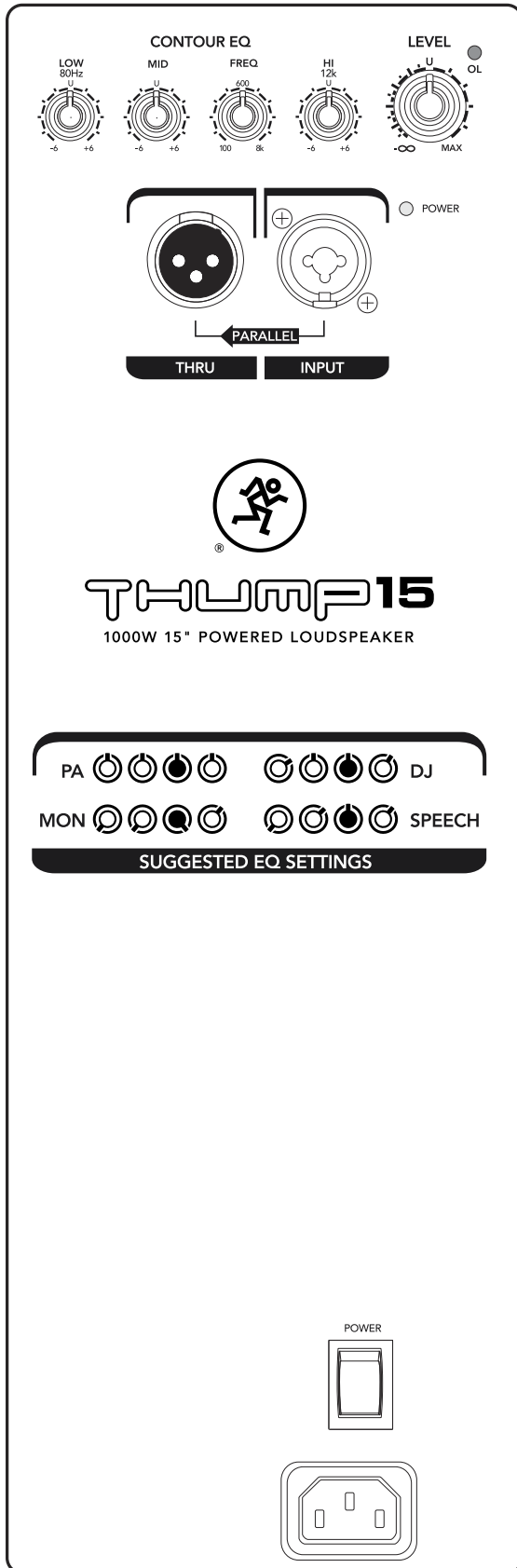
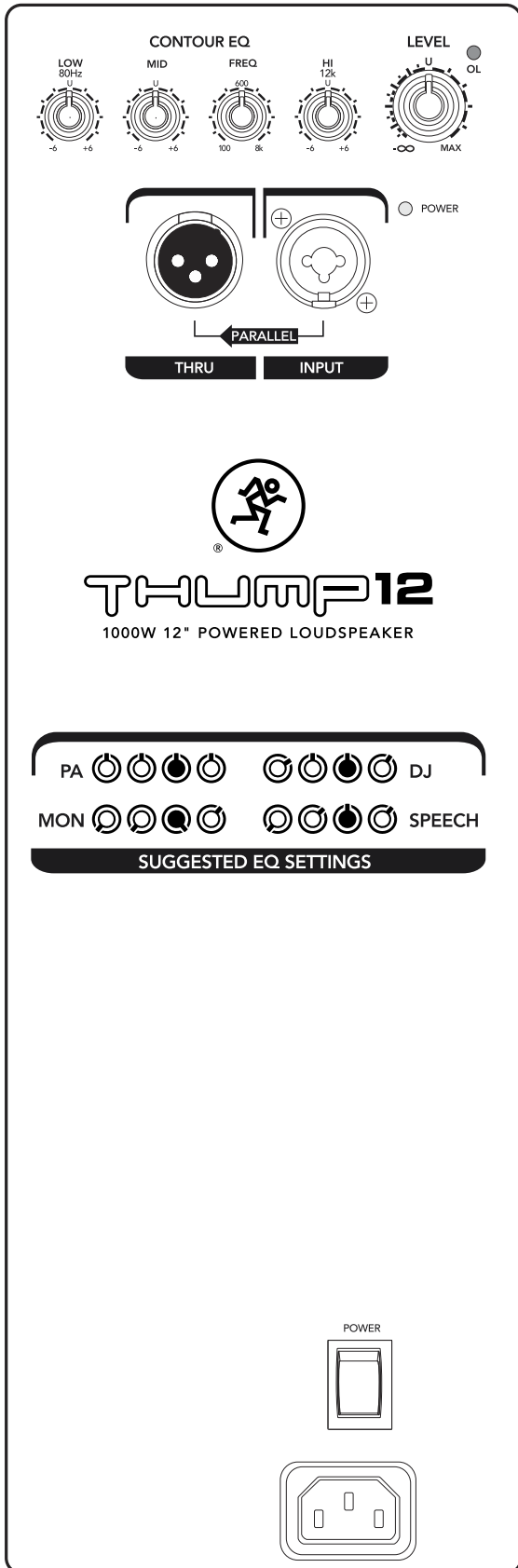
NOTES:

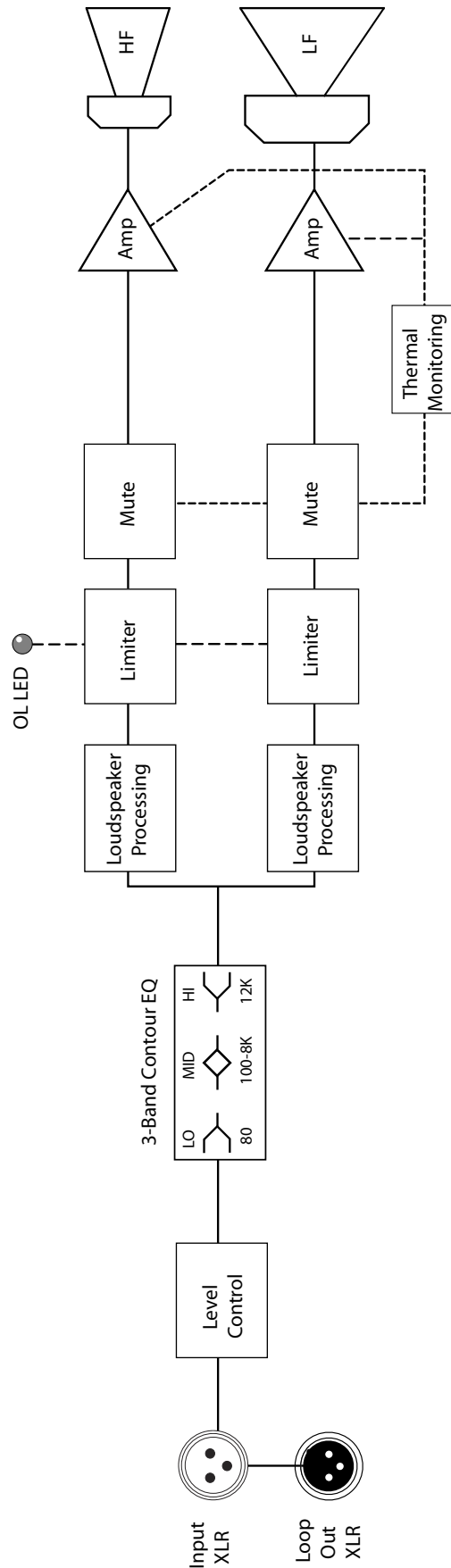
1. SYMBOL  INDICATES CENTER OF BALANCE.
2. WEIGHT APPROX. 33.2 lb [15.1 kg].
3. SHIPPING WEIGHT APPROX. 36 lb [16.3 kg].

<p>THIRD ANGLE PROJECTION</p> 	<p>UNLESS OTHERWISE SPECIFIED: ALL DIMENSIONS ARE IN INCHES DUAL [MM] DIMENSIONS FOR REF ONLY</p> <p>TOLERANCE IN INCHES LINEAR ± 0.13 in / ± 3.3 mm ANGLES $\pm 1^\circ$</p> <p>(X.XX) = REF DIMS NO TOLERANCE IMPLIED</p> <p>TSC = THEORETICAL SHARP CORNER</p> <p>DIMENSIONS ACROSS CENTERLINES TO BE SYMMETRICAL</p>
<p>THE INFORMATION CONTAINED HEREIN IS PROPRIETARY AND CONFIDENTIAL PROPERTY OF LOUD TECHNOLOGIES, INC. ALL RIGHTS RESERVED</p>	

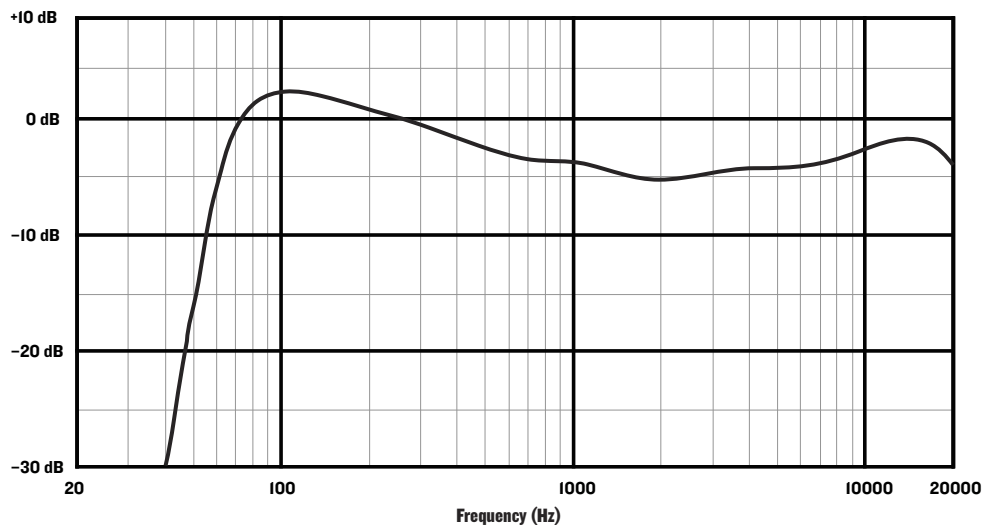


THUMP12 / THUMP15 LOUDSPEAKER REAR PANEL

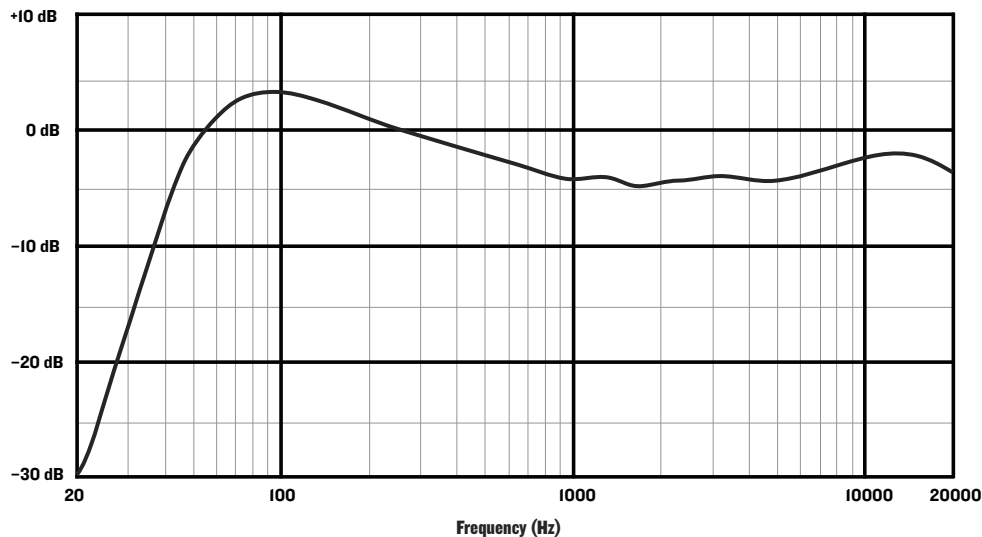


THUMPI2 / THUMPI5 BLOCK DIAGRAM


THUMPI2 LOUDSPEAKER FREQUENCY RESPONSE



THUMPI5 LOUDSPEAKER FREQUENCY RESPONSE



LOUD Technologies Inc. is always striving to improve our products by incorporating new and improved materials, components, and manufacturing methods. Therefore, we reserve the right to change these specifications at any time without notice.

“Mackie” and the “Running Man” figure are registered trademarks of LOUD Technologies Inc. All other brands mentioned are trademarks or registered trademarks of their respective holders, and are hereby acknowledged.

©2014 LOUD Technologies Inc. All rights reserved.

Electronic files for this product are available at:
www.mackie.com

Specification Sheet	Thump12_Thump15_SS.PDF
Owner's Manual	Thump12_Thump15_OM.PDF



www.mackie.com
16220 Wood-Red Road NE
Woodinville, WA 98072 USA
800-898-3211, Fax 425-487-4337

Part No. SWI06I Rev. A 03/14