

# Panaray® MB4 modular bass loudspeaker

# BOSE®

## Key Features

- **Unique 4 x 5.25" (133 mm)** high-excursion woofer configuration provides deep bass to 35 Hz with fast transient response
- **Modular design** allows stacking of multiple enclosures for increased maximum sound levels
- **Integrated suspension** inserts allow easy permanent installations with optional rigging accessories



TECHNICAL DATA SHEET

## Product Overview

The Bose® Panaray® MB4 is a compact low-frequency loudspeaker designed primarily to provide bass augmentation for Bose Panaray and DS systems in small to medium-size indoor permanent installations. It can also be used as portable sound reinforcement.

## Technical Specifications

System Performance	
Frequency Response (+/-3 dB) <sup>1</sup>	45 Hz - 310 Hz
Frequency Range (-10 dB) <sup>1</sup>	35 Hz - 350 Hz
Nominal Dispersion	Omni-directional below 200 Hz
Recommended High-Pass Filter	30 Hz high-pass filter
Overload Protection	PTC/Lamps (2)
Long-Term Power Handling <sup>2</sup>	200 W (800 W peak)
Sensitivity (SPL / 1 W @ 1 m) <sup>3</sup>	87 dB SPL
Maximum SPL @ 1 m <sup>4</sup>	110 dB SPL (116 dB SPL peak)
Nominal Impedance	8 Ω
Transducers	
Driver Complement	Four (4) 5.25" (133 mm) low-frequency drivers
Physical	
Enclosure	High-density wood composite with solid color PVC laminate, high-impact polypropylene end caps
Grille	Powder-coated steel grille
Environmental	Indoor use only
Connectors	Two (2) parallel-wired NL4 Neutrik® Speakon® connectors
Suspension / Mounting	Four (4) M8 threaded inserts (2 top, 2 bottom)
Dimensions	26.7" H x 10.2" W x 18.2" D (678 mm x 260 mm x 463 mm)
Net Weight	45 lb (20 kg)
Shipping Weight	62 lb (28 kg)
Product Code	
Black	040192
White	040193

### Footnotes:

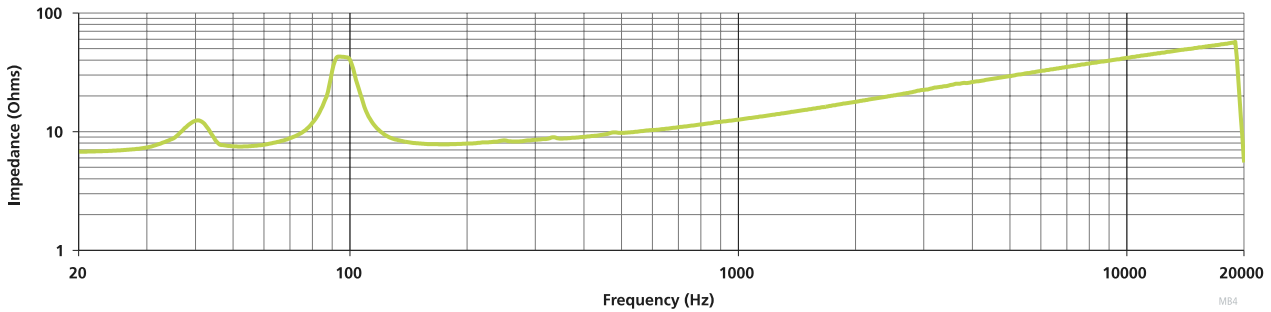
- <sup>1</sup> Frequency response and range measured on-axis with recommended active EQ in an anechoic environment.
- <sup>2</sup> Power handling tested using pink noise filtered to meet IEC 268-5, 6 dB crest factor, 100 hours, with recommended EQ.
- <sup>3</sup> Sensitivity measured in free field (no boundary-loading gain) with recommended active EQ, referenced to 1W/1m.
- <sup>4</sup> Maximum SPL calculated from sensitivity and power handling specifications, exclusive of power compression.

# Panaray® MB4 modular bass loudspeaker

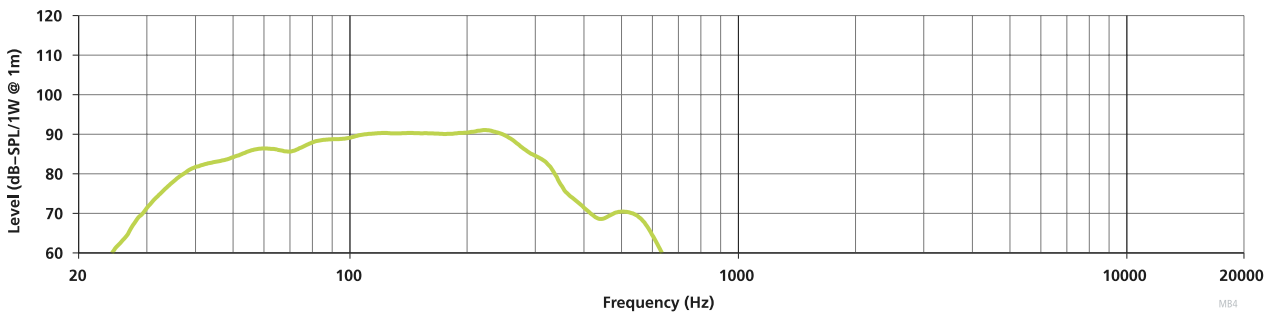


TECHNICAL DATA SHEET

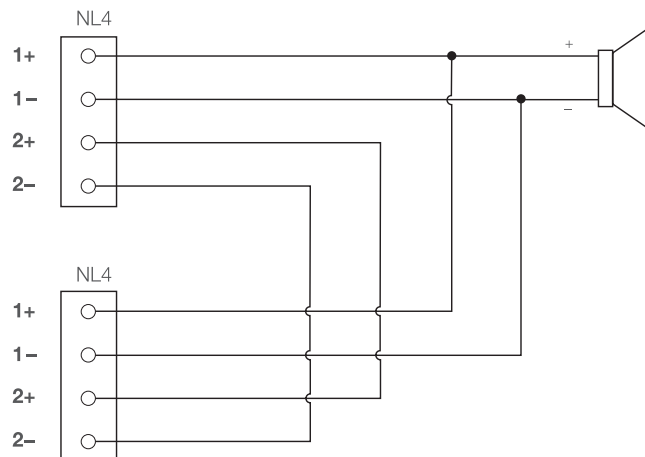
## Impedance



## On-Axis Response



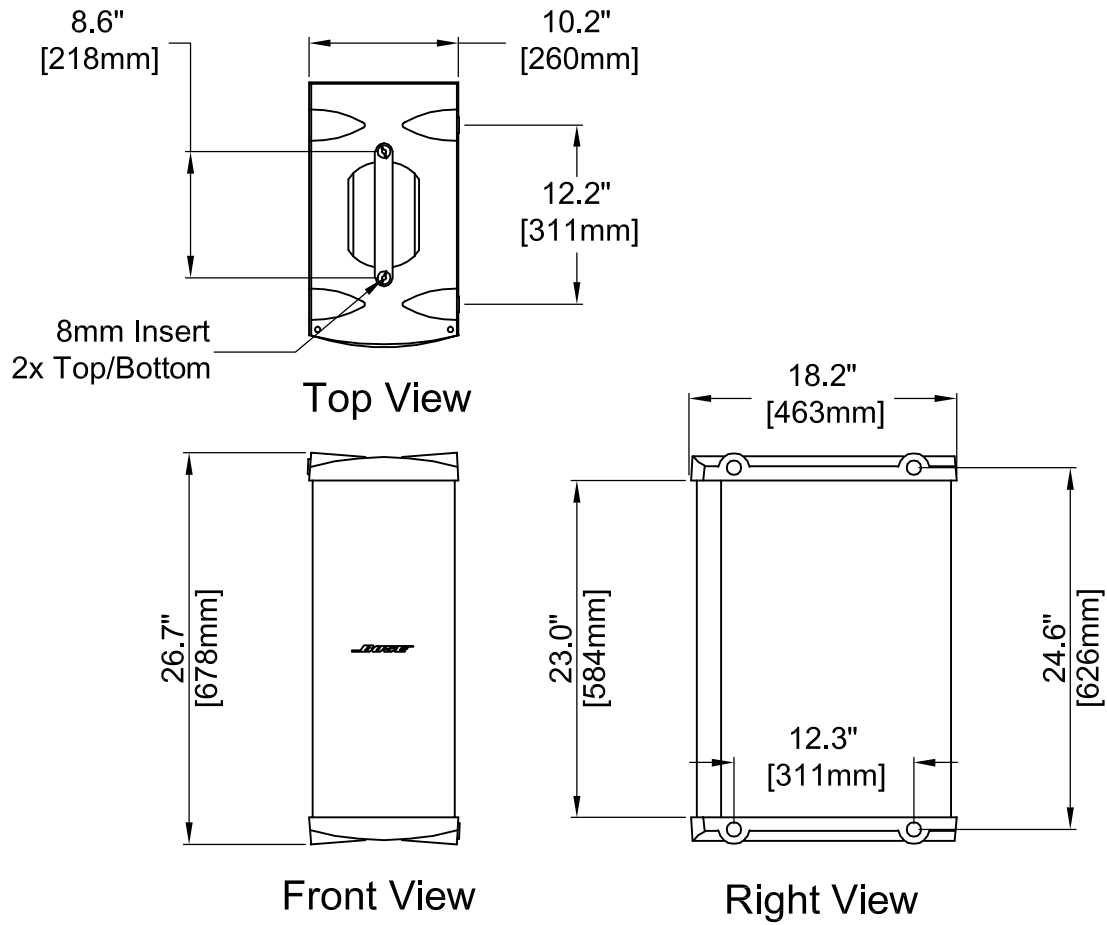
## Wiring Diagram



# Panaray® MB4 modular bass loudspeaker



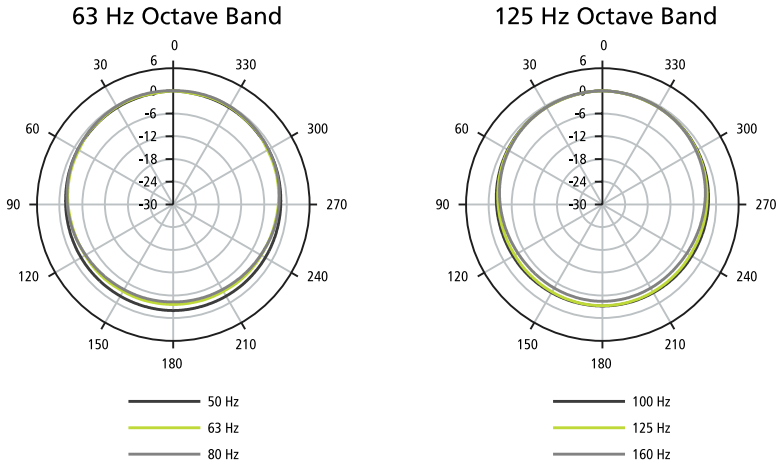
## Mechanical Diagrams



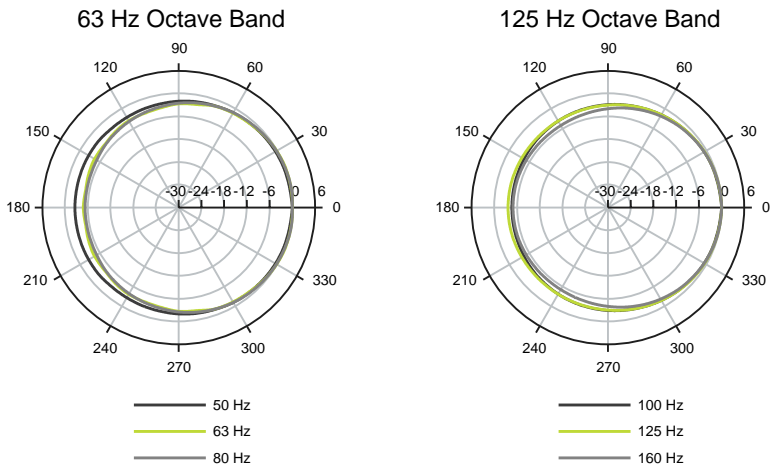
# Panaray<sup>®</sup> MB4 modular bass loudspeaker



## Horizontal Plots



## Vertical Plots



# Panaray® MB4 modular bass loudspeaker



## Architects' and Engineers' Specifications

The loudspeaker shall be a multiple driver, low-frequency system with matched active equalization as follows:

The transducer complement shall consist of four low-frequency drivers of 5.25" (133 mm) diameter, mounted symmetrically in vertical pairs. Each driver shall have rated impedance of 8 ohms and shall be wired in series/ parallel, resulting in composite nominal impedance of 8 ohms.

The system sensitivity shall be 87 dB SPL in the 45 Hz to 310 Hz frequency range with measurements referenced to 1 watt (2.85 V) pink noise input at 1 meter. The dispersion shall be omnidirectional at all frequencies below 200 Hz. The power handling capacity of the loudspeaker shall be 200 watts continuous pink noise, band-limited from 45 Hz to 310 Hz.

The loudspeaker shall be a vented enclosure, tuned at 45 Hz. The input connectors of the Panaray MB4 speaker shall consist of two (2) parallel Speakon® NL4 receptacles.

The enclosure of the MB4 loudspeaker shall be composed of high-density wood composite with high-impact polypropylene end caps. Its outer dimensions shall be 26.7" x 10.2" x 18.2" (678 mm x 260 mm x 463 mm). Its weight shall be 45 lb (20 kg).

The loudspeaker shall be the Panaray® MB4 modular bass loudspeaker.